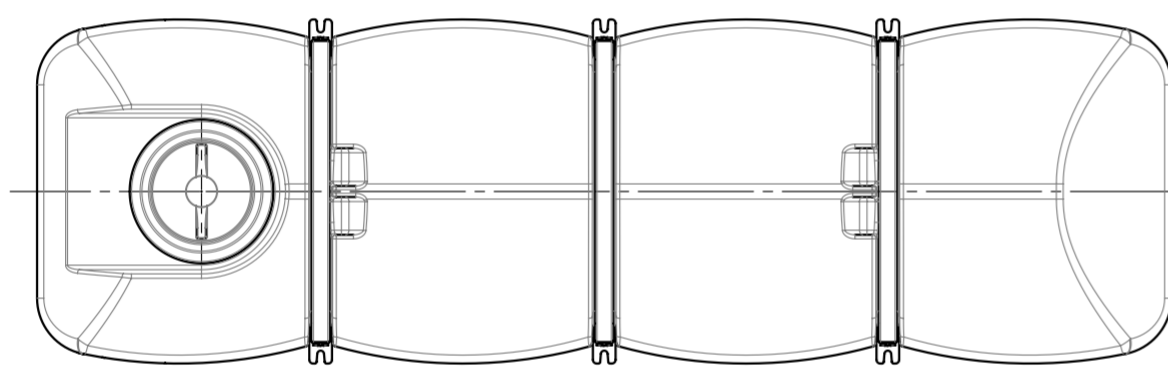
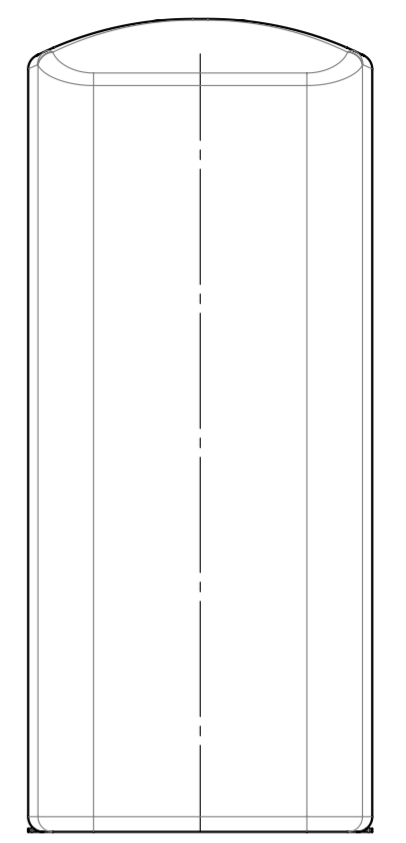
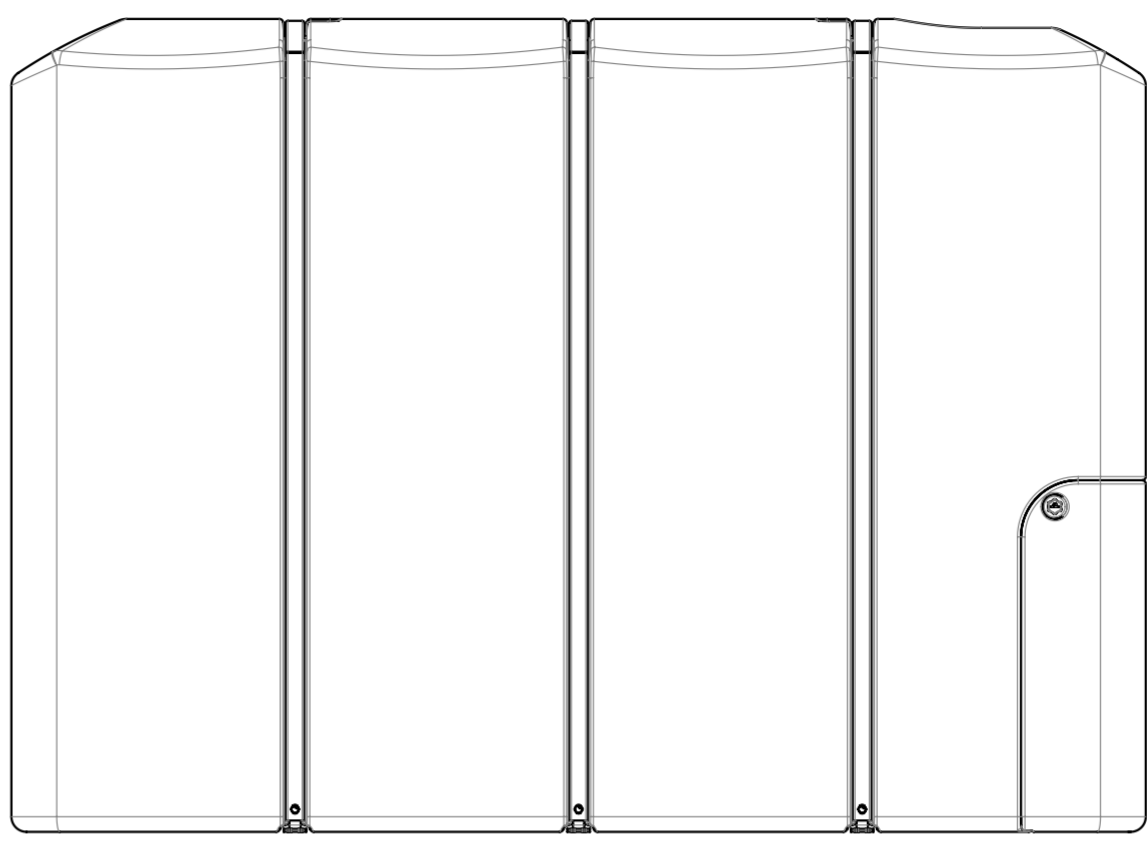
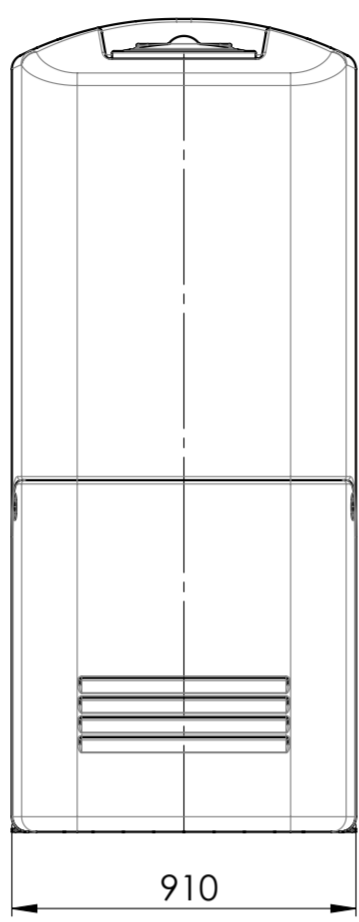
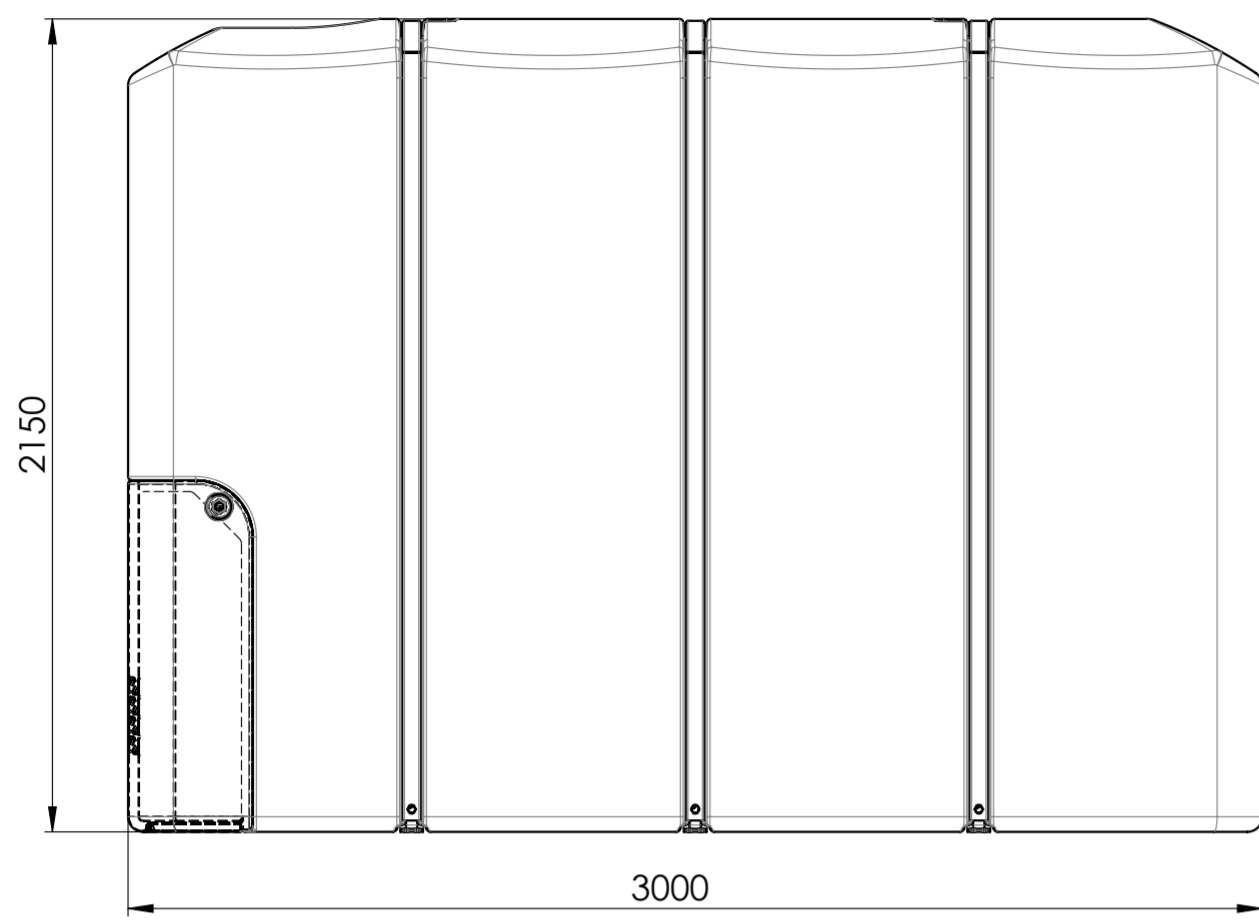


Job Customer:

Title:

Ref:




FITTINGS LAYOUT TABLE			PARTS LIST		
NOZZLE No	PE SIZE	DESCRIPTION	Part NO.	Name	Q-ty
N1					
N2					
N3					
N4					
N5					
N6					

Part NO.	Name	Q-ty



NOTES:

DATE	CLIENT APPROVAL SIGNATURE	UNLESS OTHERWISE SPECIFIED: DIMENSIONS ARE IN MILLIMETERS SURFACE FINISH: TOLERANCES: LINEAR: ANGULAR:	FINISH:	DEBURR AND BREAK SHARP EDGES	DO NOT SCALE DRAWING	REVISION
					 ENGINEERED PLASTICS	
		DRAWN	NAME	SIGNATURE	DATE	TITLE: SLIMLINE TANK 5000L NOZZLES LAYOUT
		CHK'D				DWG NO. SL1005000
		APPV'D				A2
		MFG				SCALE:1:20
		Q.A.				SHEET 1 OF 1