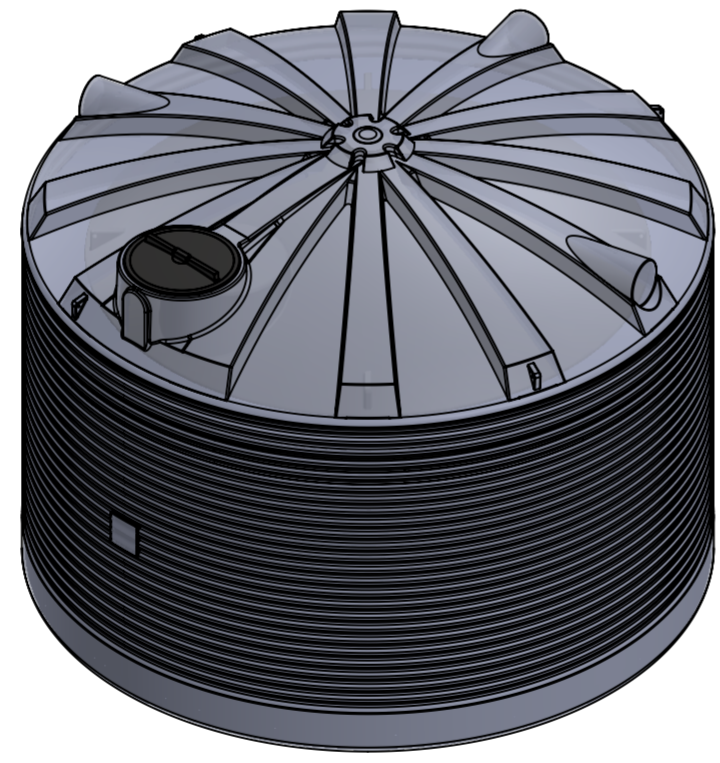
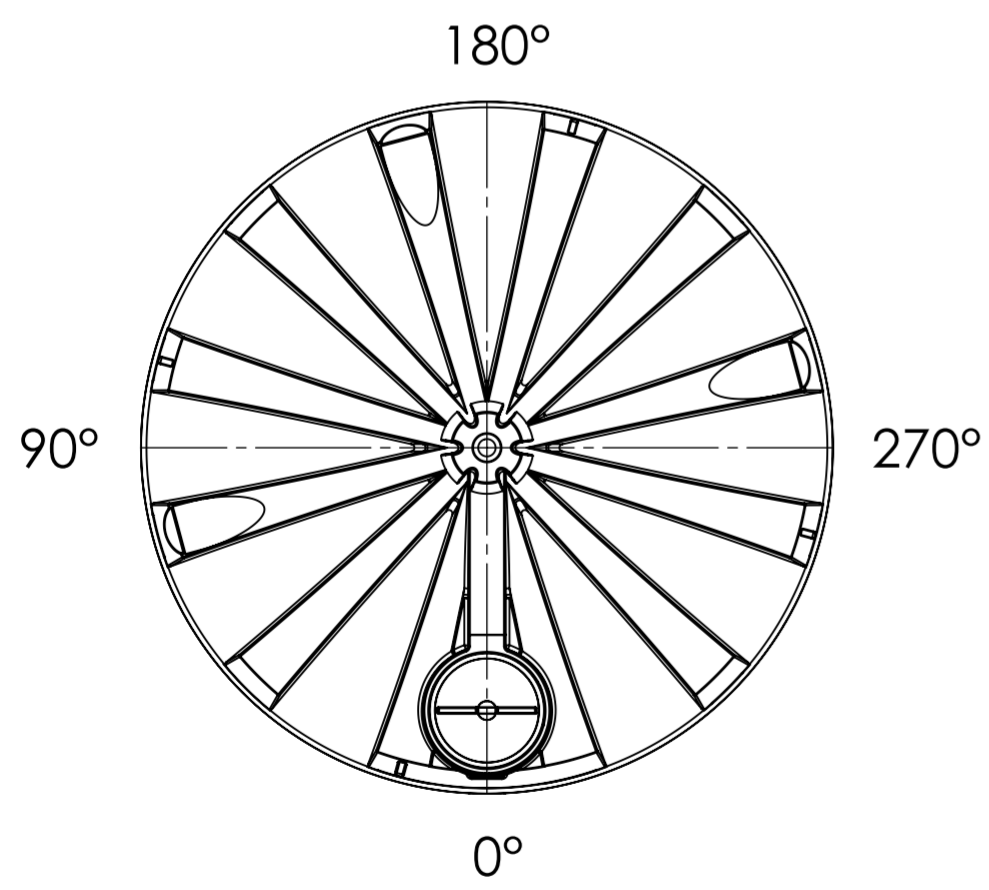
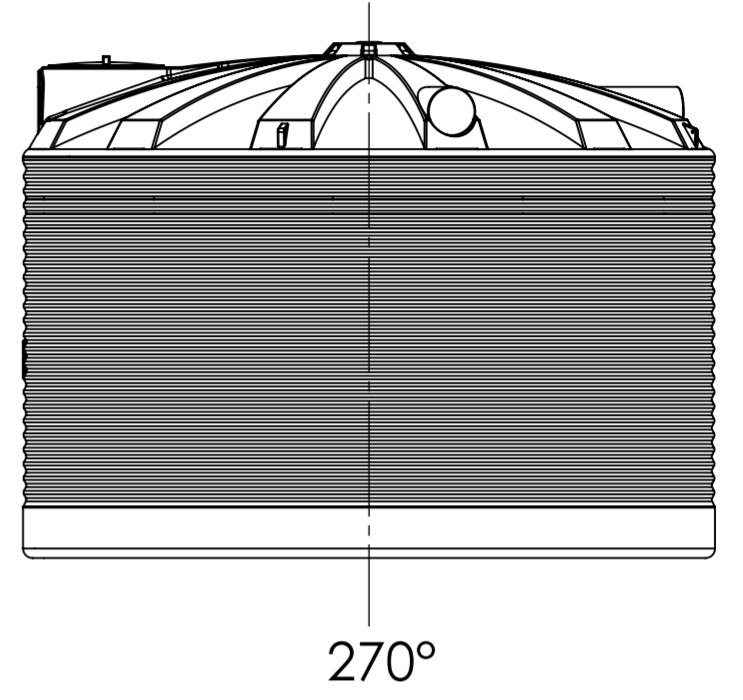
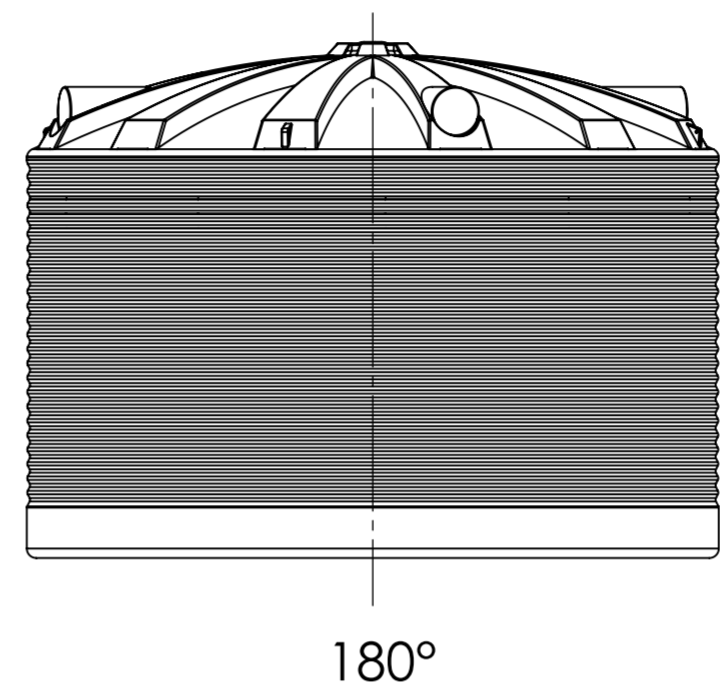
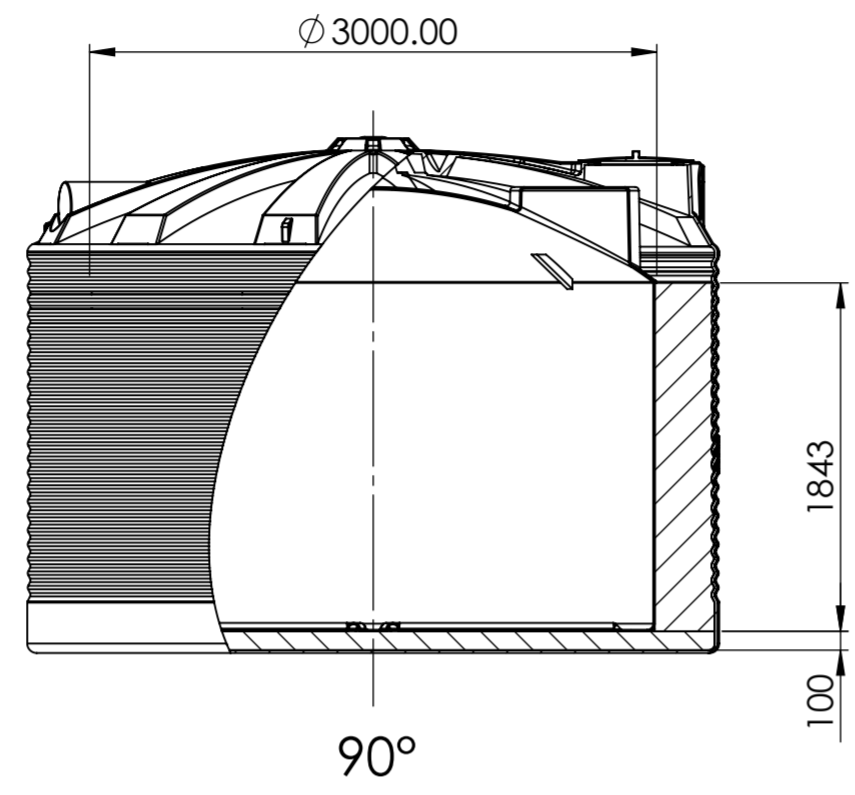
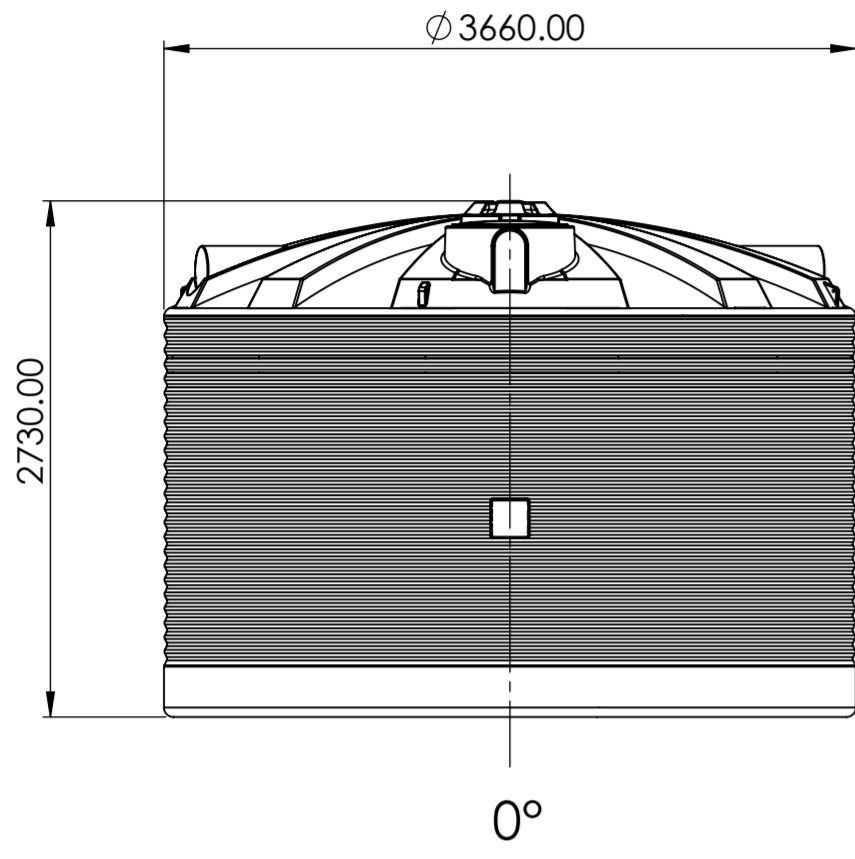



Job Customer:

Title:

Ref:



FITTING LAYOUT TABLE			
NOZZLE No.	DN/PE SIZE	ANGLE	DESCRIPTION
N1			
N2			
N3			
N4			
N5			
N6			
N7			
N8			

<p>PROPRIETARY AND CONFIDENTIAL</p> <p>THIS DRAWING AND THE INFORMATION AND TECHNICAL DATA CONTAINED HEREIN ARE THE EXCLUSIVE PROPERTY OF PROMAX PLASTICS AND SHALL BE RETURNED TO THEM UPON REQUEST.</p> <p>THIS DRAWING CONTAINS PROPRIETARY AND CONFIDENTIAL INFORMATION FOR THIS PROJECT AND IS NOT TO BE MADE AVAILABLE TO 3RD PARTIES WITHOUT THE EXPRESS WRITTEN CONSENT OF PROMAX PLASTICS.</p>	DATE	CLIENT APPROVAL SIGNATURE	<small>UNLESS OTHERWISE SPECIFIED: DIMENSIONS ARE IN MILLIMETERS SURFACE FINISH: TOLERANCES: LINEAR: ANGULAR:</small>	<small>FINISH:</small> <small>DEBURR AND BREAK SHARP EDGES</small>	<small>DO NOT SCALE DRAWING</small> 																								
				<table border="1"> <tr><th>NAME</th><th>SIGNATURE</th><th>DATE</th></tr> <tr><td> </td><td> </td><td> </td></tr> <tr><td> </td><td> </td><td> </td></tr> <tr><td> </td><td> </td><td> </td></tr> <tr><td> </td><td> </td><td> </td></tr> <tr><td> </td><td> </td><td> </td></tr> <tr><td> </td><td> </td><td> </td></tr> <tr><td> </td><td> </td><td> </td></tr> </table>	NAME	SIGNATURE	DATE																						<small>TITLE:</small> Promax Insulated Tank 15,000 Ltr R2 <small>DWG NO.</small> NOZZLES LAYOUT A2 <small>SCALE: 1:50</small>
NAME	SIGNATURE	DATE																											