

8

7

6

5

4

3

2

1

F

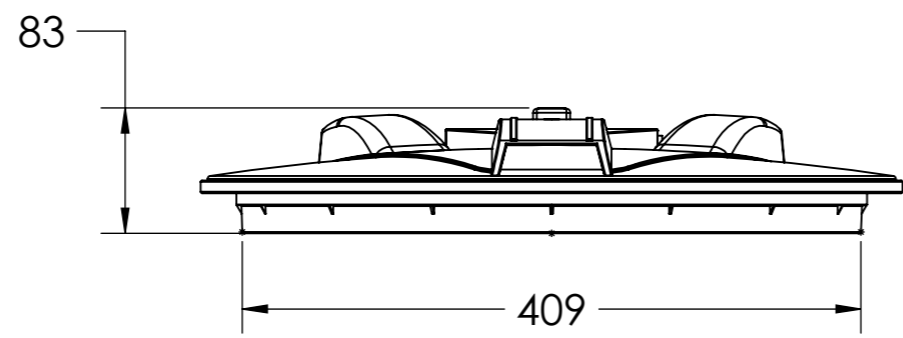
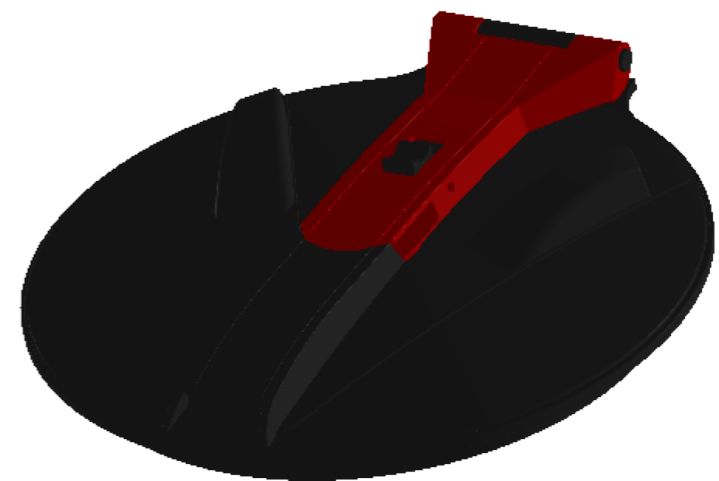
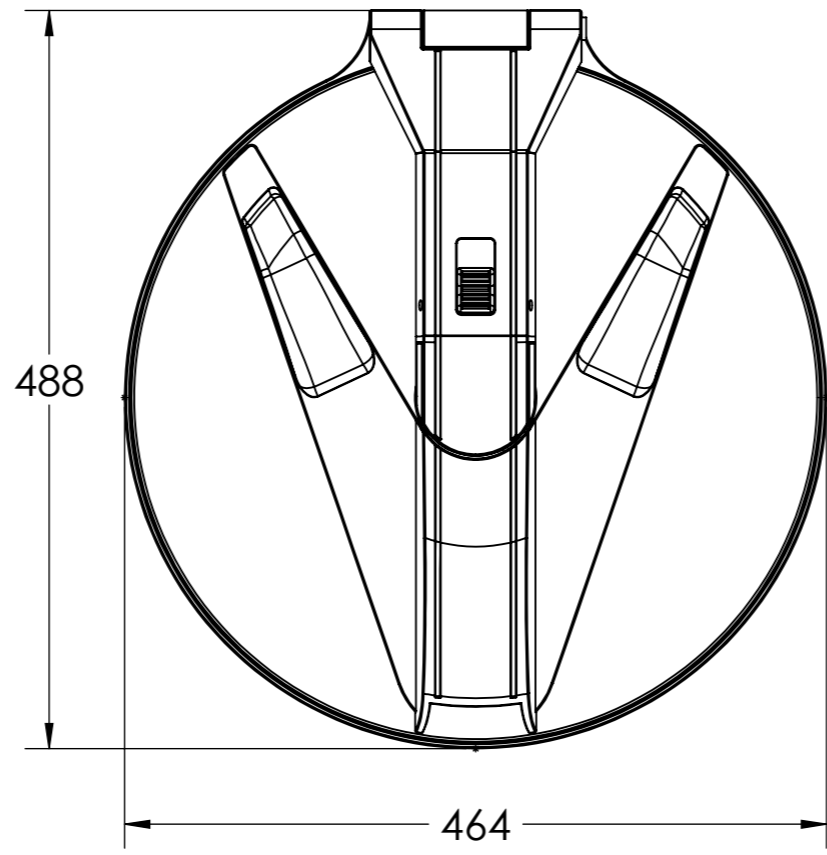
E


D

C

B

A



 Promax LIQUID MANAGEMENT SOLUTIONS	DO NOT SCALE DRAWING	DATE:	DISPLAY NAME/CODE:	
		AUTHOR:	450mm Hinged Lid	
PROPRIETARY AND CONFIDENTIAL THIS DRAWING AND THE INFORMATION AND TECHNICAL DATA CONTAINED HEREIN ARE THE EXCLUSIVE PROPERTY OF PROMAX PLASTICS AND SHALL BE RETURNED TO THEM UPON REQUEST. THIS DRAWING CONTAINS PROPRIETARY AND CONFIDENTIAL INFORMATION FOR THIS PROJECT AND IS NOT TO BE MADE AVAILABLE TO 3RD PARTIES WITHOUT THE EXPRESS WRITTEN CONSENT OF PROMAX PLASTICS	MATERIAL:	ITEM NAME/NUMBER:		
	LLDPE	450mm Hinged Lid		
	WEIGHT:	SCALE:	SHEET	

8

7

6

5

4

3

2

1

F

E

D

C

B

A